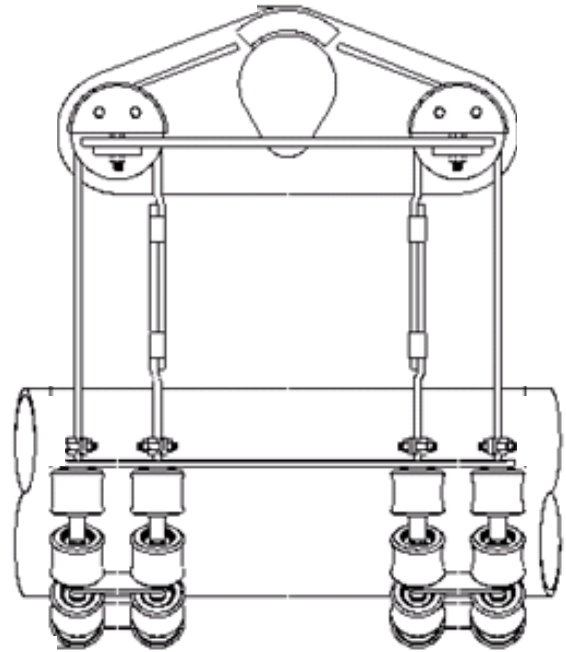


ROLLI-CRADLE CW0312
3 INCH TO 12 INCH RANGE

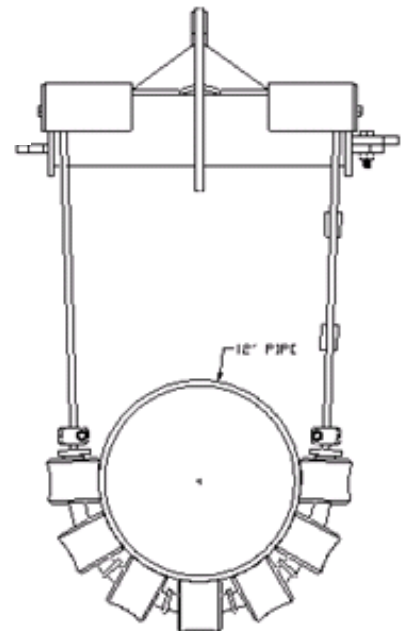


FEATURES:

- The Proline CW03-12 Wrap-Around Rolli Cradle is designed to support and guide 3" to 12" pipe during pipe handling and lowering-in operations.
- Multiple polyurethane coated rollers spaced equally to support the pipe evenly, eliminating "egging" of the pipe.
- The polyurethane-coated rollers make it ride easily over weld seams without hanging up.
- The design provides quick disassembly for transit and storage.
- Easily adjustable for any pipe size within specified range.
- Crimped swages used for wire rope termination.
- Comes with head iron side bar to protect rollers from contacting the boom.

SPECIFICATIONS:

- | | |
|---|---|
| • Pipe size range: | 3 inch nominal (90 mm) to
12 inch nominal (324 mm) |
| • Quantity of rollers: | 28 total |
| • Approximate weight: | 260 lbs. (118 Kg) |
| • Recommended max. working load
with 5:1 safety factor | 5 tons |



PROLINE PIPE EQUIPMENT INC.