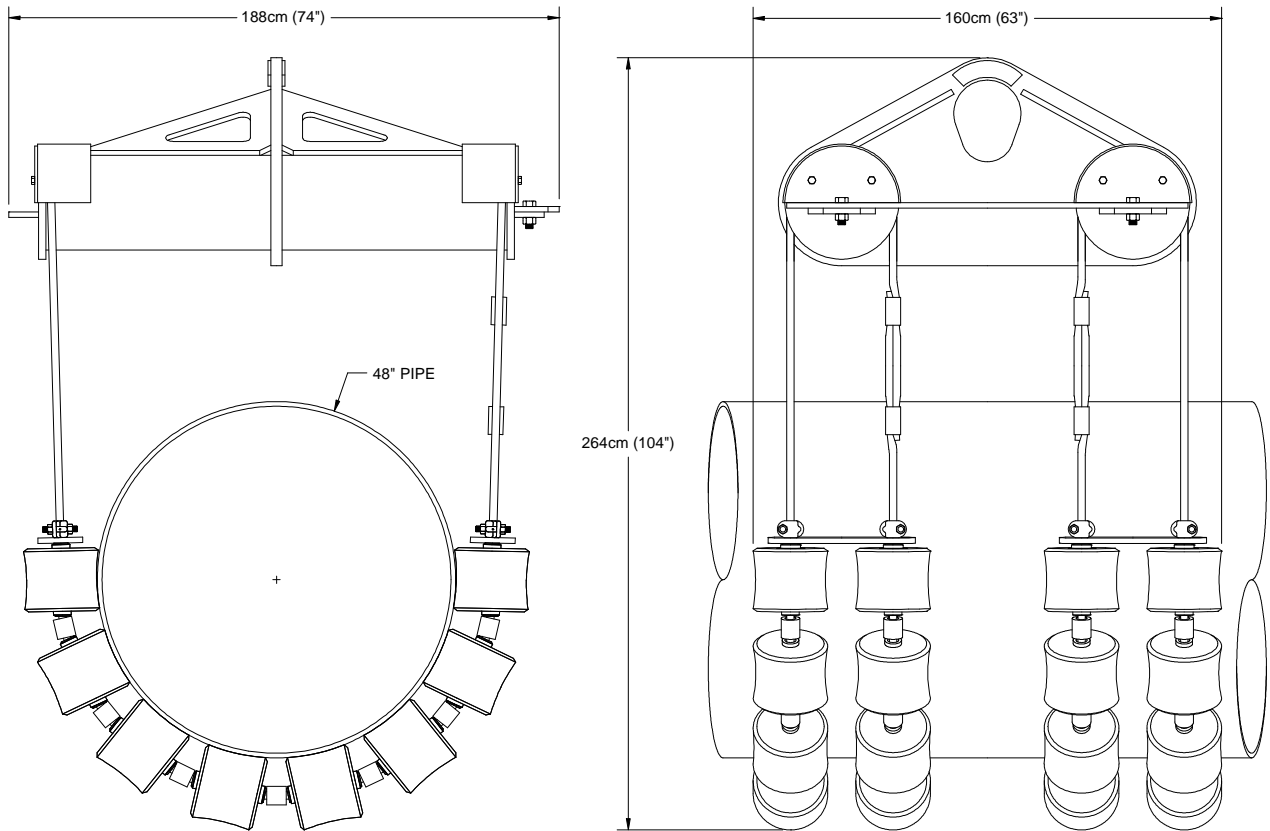


PROLINE CW36-48 WRAP-AROUND ROLLI CRADLE



FEATURES:

- The Proline CW36-48 Wrap-Around Rolli Cradle is designed to support and guide 36" to 48" pipe during pipe handling and lowering-in operations.
- Multiple polyurethane coated rollers spaced equally to support the pipe evenly, eliminating "egging" of the pipe.
- The polyurethane-coated rollers make it ride easily over weld seams without hanging up.
- The design provides quick disassembly for transit and storage.
- Easily adjustable for any pipe size within specified range.
- Crimped swages used for wire rope termination.
- Comes with head iron side bar to protect rollers from contacting the boom.

SPECIFICATIONS:

- Pipe size range: 36 inch nominal (914.4 mm) to 48 inch nominal (1219.2 mm)
- Quantity of rollers: 32 total (16 per string)
- Approximate weight: 4635 lbs. (2104 Kg)
- Recommended max. working load with 5:1 safety factor: 25 tons