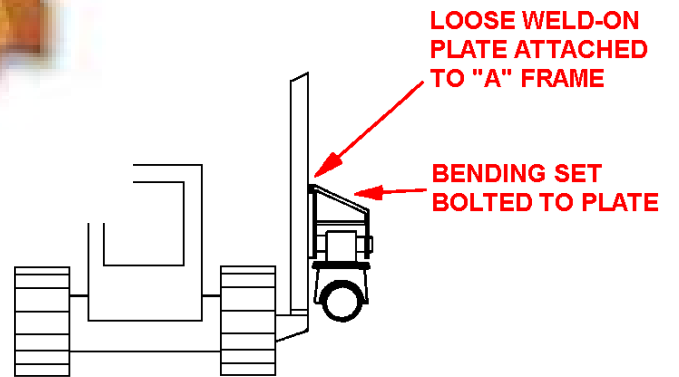
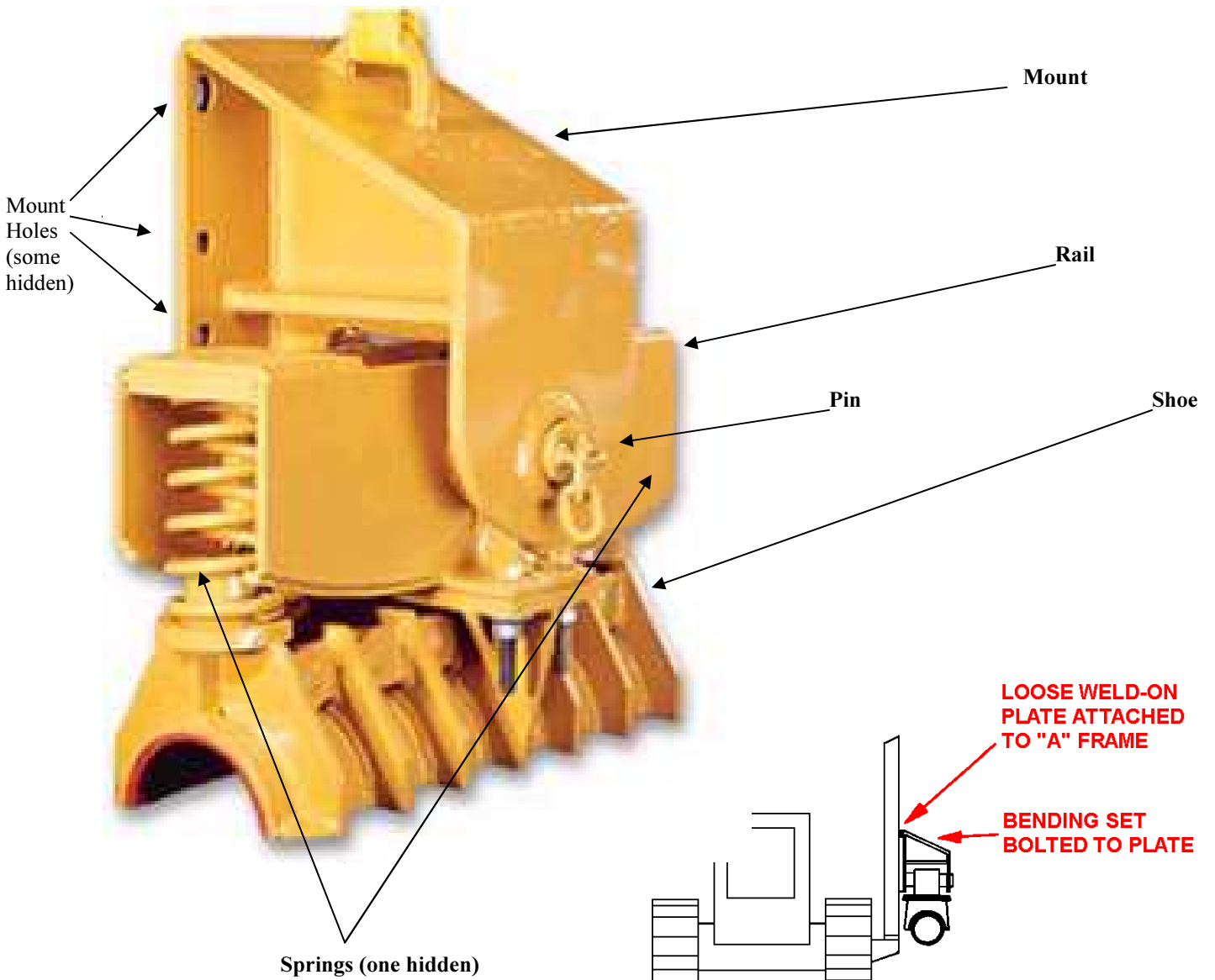


Complete Tractor Shoe consists of: Mount, Rail, Shoe, 2 springs and pin



**Instructions to a Complete Unit (Mount, Rail, Shoe).**

- The Mount bolts on to the tractor.
- The shoes (from 3" to 16") bolt onto the Rail
- The Rail bolts on to the Mount.

