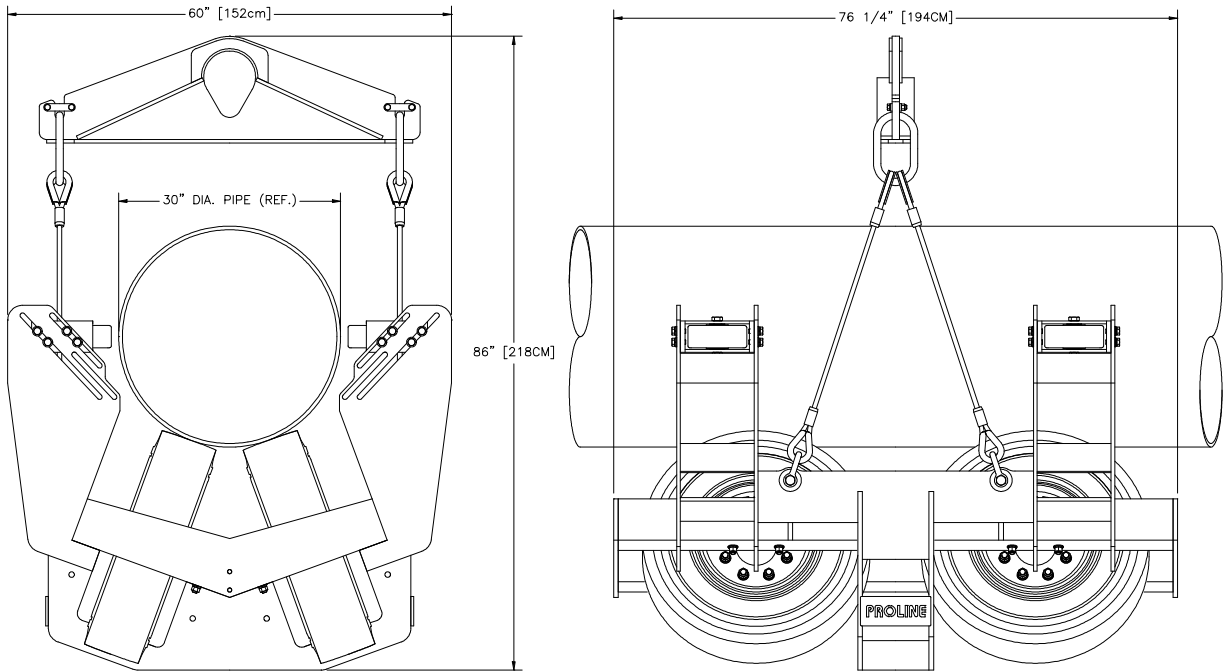


PROLINE RTC14-30 PNEUMATIC TIRED CRADLE



FEATURES

- **The Proline RTC14-30 Pneumatic Tired Cradle is designed to support and guide 14” to 30” pipe during pipe handling and lowering-in operations.**
- **Large multi-ply rubber tires protect all pipe coatings and insulated pipe from damage.**
- **Later rubber guide rollers keep the pipe centered on the four tires.**
- **Heavy duty steel frame quickly adjusts for any pipe size within the cradle’s range.**
- **Wire rope bridle slings allow more versatility for transporting.**

SPECIFICATIONS

- **Pipe size range:** 14 inch nominal (355.6 mm) to 30 inch nominal (762.0 mm)
- **Quantity of tires:** 4
- **Approximate weight:** 2680 lbs. (1217 Kg)
- **Recommended max. working load with 5:1 safety factor** 11 tons