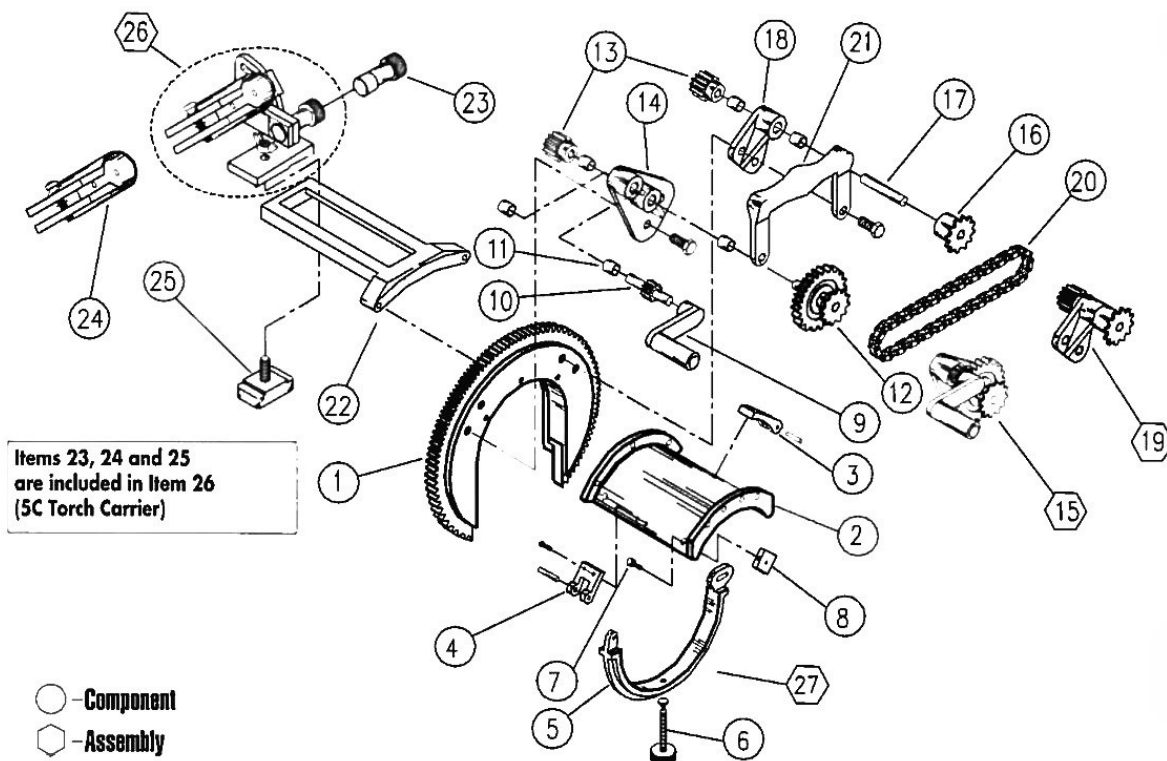


#0 Beveling Machine Parts List



| No. | Part Name | Part No. | Qty. |
|-----|--|-----------|------|
| 1 | Ring Gear Assembly | 2A3&4-0 | 1 |
| 2 | Saddle Assembly | 2-0 | 1 |
| 3 | Boomer Strap Eye (Pivot) | 2DP-0 | 1 |
| 4 | Boomer Strap Eye (Latch) | 2DL-0 | 1 |
| 5 | Boomer Strap | 20-0 | 1 |
| 6 | Boomer | 27-0 | 1 |
| 7 | Knurled Thumb Screw | 13K-0 | 4 |
| 8 | Cuboid Spacer | 13C-0 | 4 |
| 9 | Crank | 8-0-1 | 1 |
| 10 | Crank Pinion | 8C-0 | 1 |
| 11 | Bearing | 26-0 | 6 |
| 12 | Crank Gear Axle Assembly | 8A10&12-0 | 1 |
| 13 | Pinion Gear | 9-0 | 2 |
| 14 | Double Bearing Bracket | 18-0 | 1 |
| 15 | Double Bearing Bracket Assembly (items 4 to 9) | 18A-0 | 1 |
| 16 | Sprocket | 14-0 | 1 |
| 17 | Gear Axle | 8A-0 | 1 |
| 18 | Single Bearing Bracket | 17-0 | 1 |
| 19 | Single Bearing Bracket Assembly (items 11, 13, 16 to 18) | 17A-0 | 1 |
| 20 | Top Roller Chain | 12A-0 | 1 |
| 21 | Handle | 23-0 | 1 |
| 22 | Torch Arm | 1-R | 1 |
| 23 | Knob and Cam Assembly | 7F | 1 |
| 24 | Torch Holder | 7CS | 1 |
| 25 | Base for 5C | 6 | 1 |
| 26 | Torch Carrier | 5C | 1 |
| 27 | Boomer Assembly (items 3 to 6) | 30-0 | 1 |