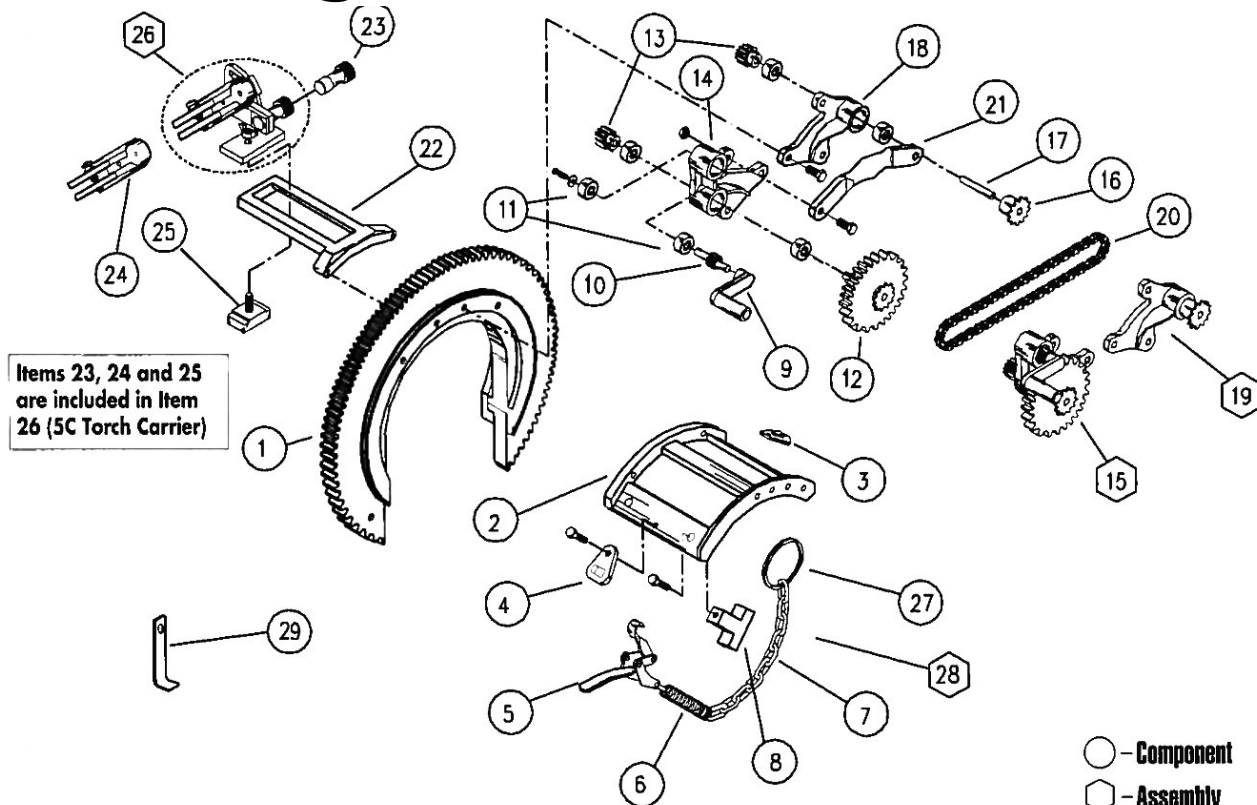


#1 Beveling Machine Parts List



No.	Part Name	Part No.	Qty.
1	Ring Gear Assembly	2A3&4-1	1
2	Saddle Assembly	2-1	1
3	Boomer Strap Eye	2DH-1-2	1
4	Boomer Strap Eye	2D-1-2	1
5	Boomer	27-1-6	1
6	Boomer Spring	24-1-2	1
7	Boomer Chain	20-1	1
8	Cuboid Spacer	13C-1	4
9	Crank	8-0-1	1
10	Crank Pinion	8C-1-2	1
11	Bearing	26-1-3	6
12	Crank Gear Axle Assembly	8A10&12-1-2	1
13	Pinion Gear	9-1	2
14	Double Bearing Bracket	18-1	1
15	Double Bearing Bracket Assembly (items 9 to 14)	18A-1	1
16	Sprocket	14-1-2	1
17	Gear Axle	8A-1-3	1
18	Single Bearing Bracket	17-1	1
19	Single Bearing Bracket Assembly (items 11, 13, 16 to 18)	17A-1	1
20	Top Roller Chain	12A-1	1
21	Handle	23-1	1
22	Torch Arm	1-R	1
23	Knob and Cam Assembly	7F	1
24	Torch Holder	7CS	1
25	Base for 5C	6	1
26	Torch Carrier	5C	1
27	Key Ring	21-1-2	1
28	Boomer Assembly (items 5 to 7, 27)	30-1	1
29	Foot	16-1	2