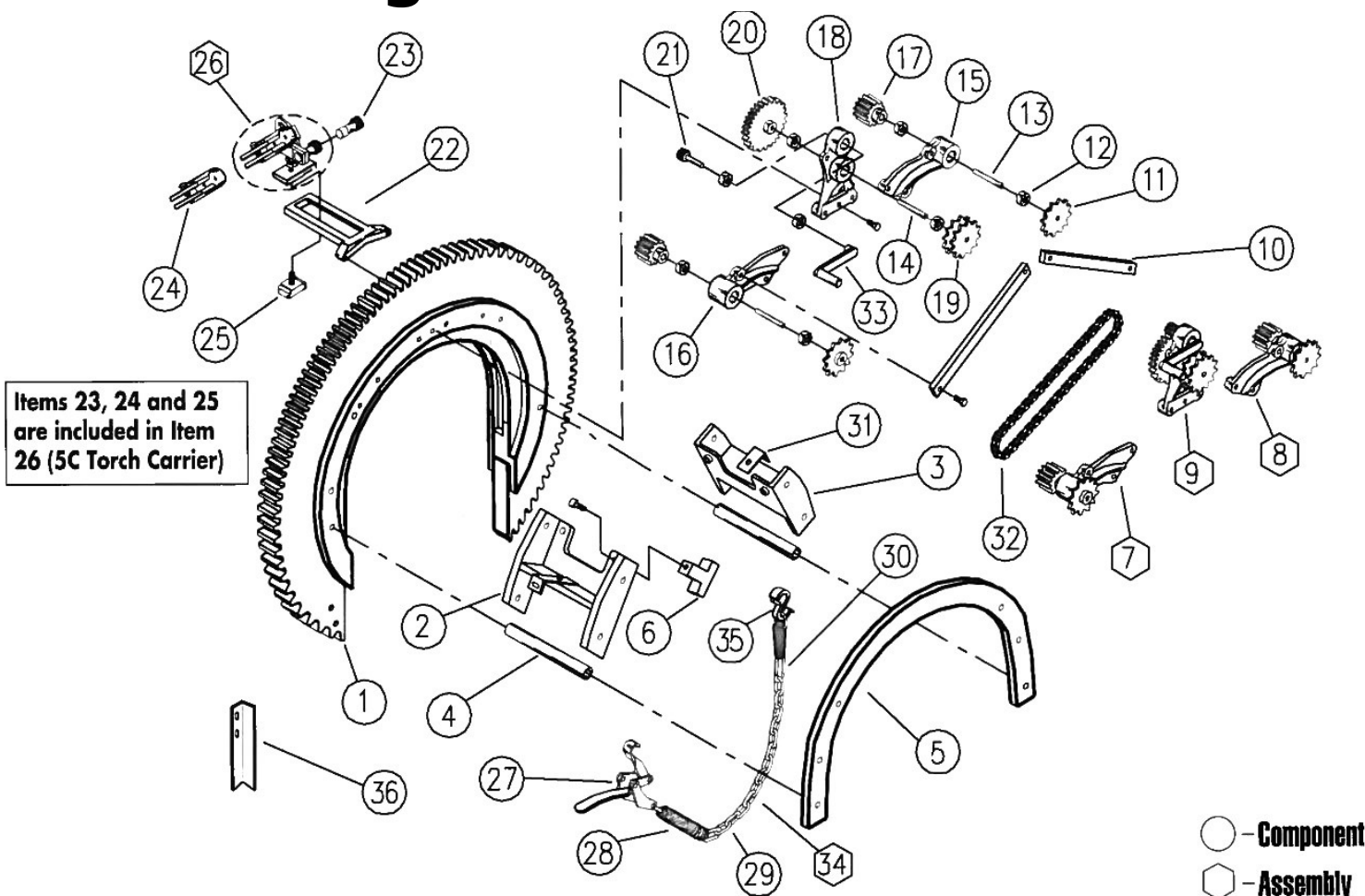


## #3 Beveling Machine Parts List



No.	Part Name	Part No.	Qty.	No.	Part Name	Part No.	Qty.
1	Ring Gear Assembly	2A3&4-3	1	19	Sprocket (Double)	12-3	1
2	Saddle Arm (Left)	2FL-3	1	20	Crank Gear	10-3	1
3	Saddle Arm (Right)	2FR-3	1	21	Crank Pinion	8C-3	1
4	Saddle Spacer Stud	2E-3	2	22	Torch Arm	1-R	1
5	Back Saddle Ring	2C-3	1	23	Knob and Cam Assembly	7F	1
6	Cuboid Spacer	13C-3	4	24	Torch Holder	7CS	1
7	Single Bearing Bracket Assembly (Left) (11, 12, 13, 16, 17)	17AL-3	1	25	Base for 5C	6	1
8	Single Bearing Bracket Assembly (Right) (11, 12, 13, 15, 17)	17AR-3	1	26	Torch Carrier	5C	1
9	Double Bearing Bracket Assembly (12 to 14, 18 to 21, 33)	18A-3	1	27	Boomer	27-1-6	1
10	Tie Rod	29-3	2	28	Boomer Spring	24-3-6	2
11	Sprockets	14-3	2	29	Boomer Chain	20-3	1
12	Bearing	26-1-3	8	30	Boomer Strap Snap	21	2
13	Pinion Gear Axle	8B-3	2	31	Boomer Strap Eye	2D-3-30	2
14	Gear Axle	8A-1-3	1	32	Top Roller Chain	12A-3	2
15	Single Bearing Bracket (Right)	17R-3	1	33	Crank	8-3-6	1
16	Single Bearing Bracket (Left)	17L-3	1	34	Boomer Assembly (items 27 to 30)	30-3	1
17	Pinion Gear	9-2-3	2	35	Boomer Hook	25	1
18	Double Bearing Bracket	18-3	1	36	Foot	16-3-30	2