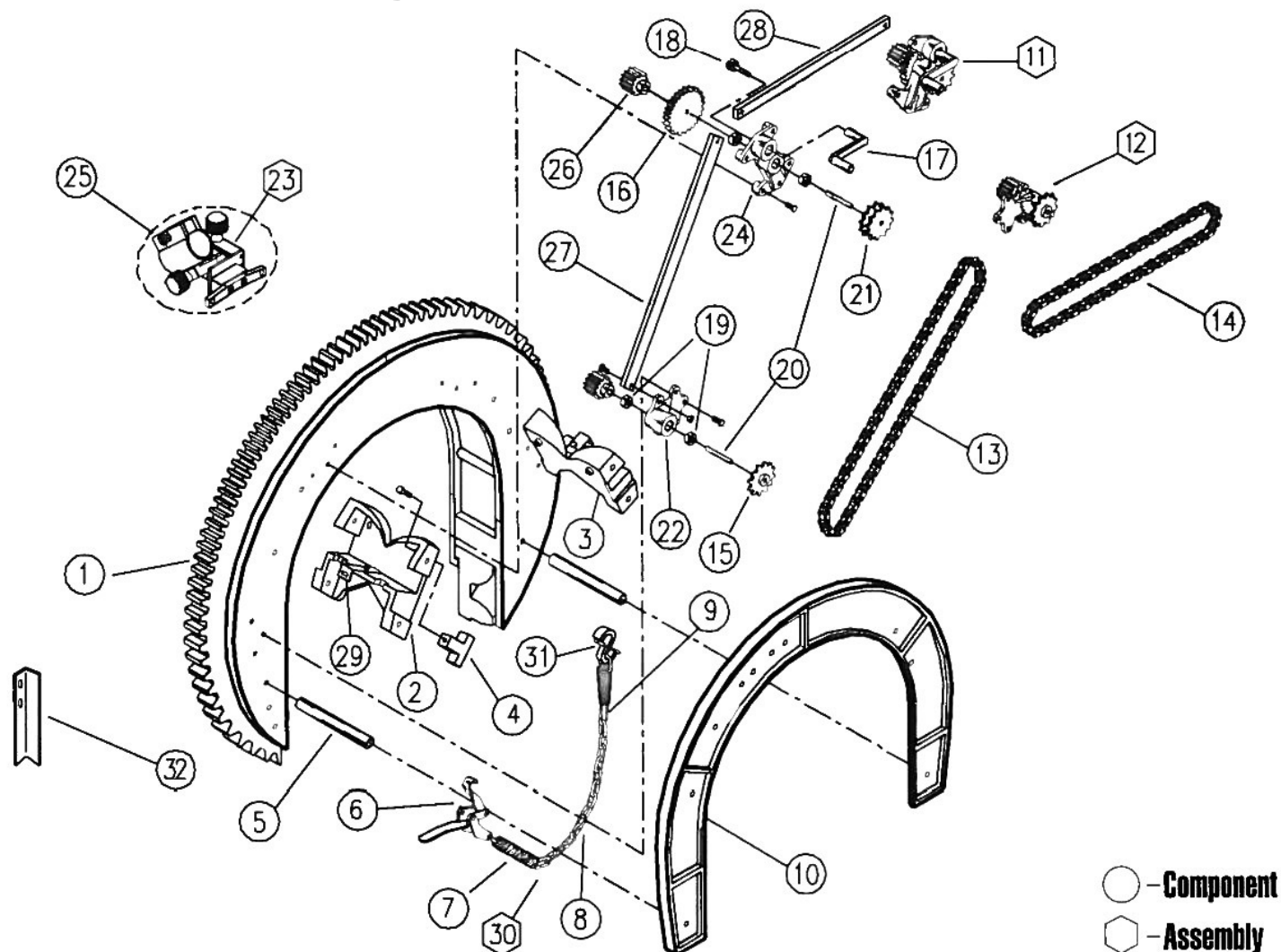


#30 Beveling Machine Parts List



No.	Part Name	Part No.	Qty.	No.	Part Name	Part No.	Qty.
1	Ring Gear Assembly	2A3&4-30	1	19	Bearing	26-4-6	12
2	Saddle Arm (Left)	2FL-30	1	20	Axle	8A-8B-30	4
3	Saddle Arm (Right)	2FR-30	1	21	Sprocket (Double)	12-4-6	2
4	Cuboid Spacer	13C-30	4	22	Torch Arm	1-R	1
5	Saddle Spacer Stud	2E-30	2	23	Knob and Cam Assembly	7F	1
6	Boomer	27-1-6	1	24	Torch Holder	7CS	1
7	Boomer Spring	24-3-6	2	25	Base for 5C	6	1
8	Boomer Chain	20-30	1	26	Torch Carrier	5C	1
9	Boomer Strap Snap	21	1	27	Side Tie Rod	29A-30	2
10	Back Saddle Ring	2C-30	1	28	Tie Rod	29-30	1
11	Double Bearing Bracket Assembly (16 to 21, 24, 26, 30)	18A-30	2	29	Boomer Strap Eye	2D-3-30	2
12	Single Bearing Bracket Assembly (15, 19, 20, 22, 26)	17A-30	2	30	Boomer Assembly (5, 6, 7, 8)	30-30	1
13	Side Roller Chain	12B-30	2	31	Boomer Hook	25	1
14	Top Roller Chain	12A-30	1	32	Foot	16-3-30	2
15	Sprocket	14-4-6	2	33	Single Bearing Bracket	17-30	2
16	Crank Gear	10-4-30	2	34	Double Bearing Bracket	18-30	2
17	Crank	8-3-6	2	35	Pinion Gear	9-4-6	4
18	Crank Pinion	8C-30	2				