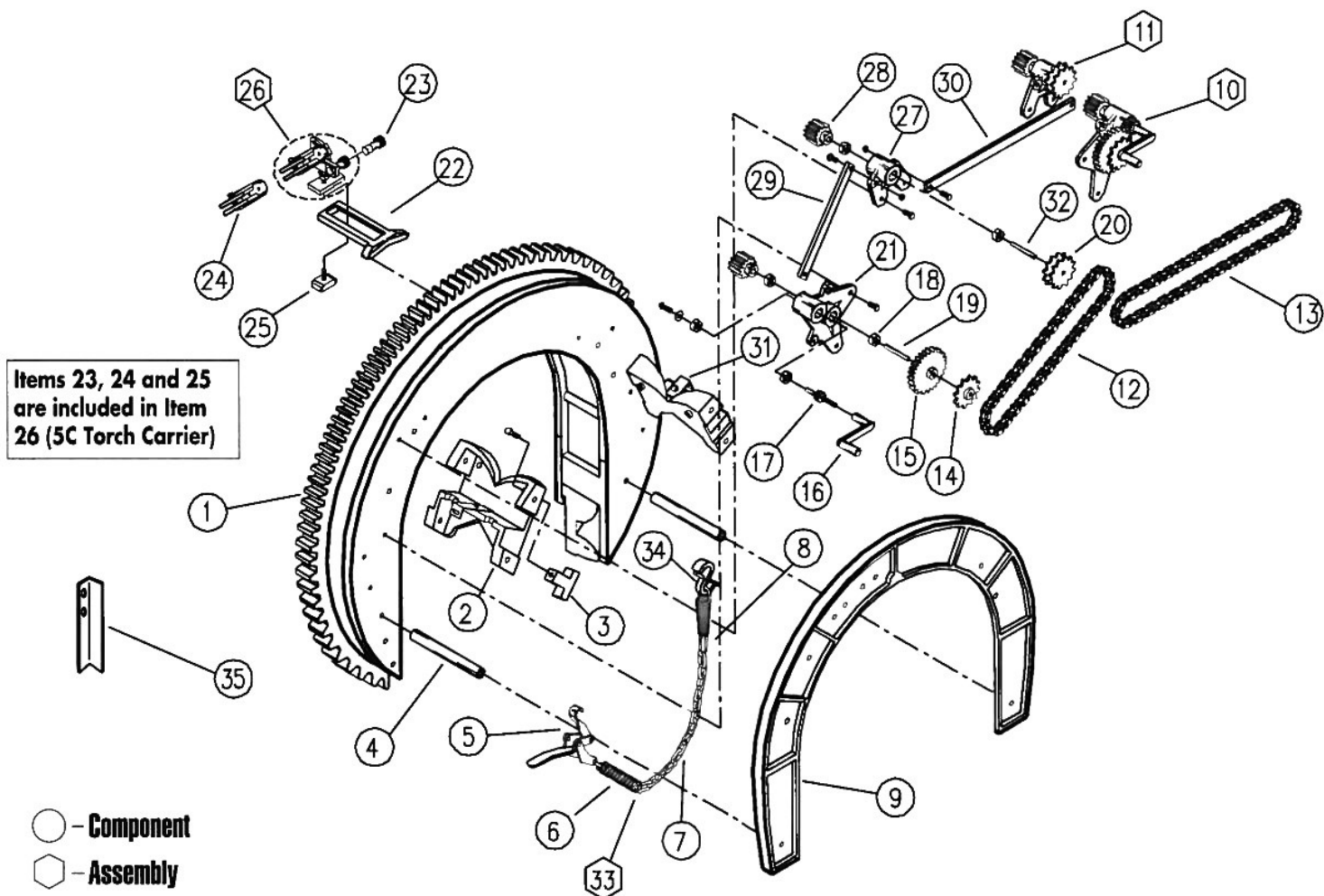


#4 Beveling Machine Parts List



No.	Part Name	Part No.	Qty.	No.	Part Name	Part No.	Qty.
1	Ring Gear Assembly	2A3&4-4	1	19	Gear Axle	8A-4,5-6 - 8B-5-6	2
2	Saddle Arm	2F-4	2	20	Sprocket (Double)	12-4-6	2
3	Cuboid Spacer	13C-4	4	21	Double Bearing Bracket	18-4	2
4	Saddle Spacer Stud	2E-4	2	22	Torch Arm	1-R	1
5	Boomer	27-1-6	1	23	Knob and Cam Assembly	7F	1
6	Boomer Spring	24-3-6	2	24	Torch Holder	7CS	1
7	Boomer Chain	20-4	1	25	Base for 5C	6	1
8	Boomer Strap Snap	21	2	26	Torch Carrier	5C	1
9	Back Saddle Ring	2C-4	1	27	Single Bearing Bracket	17-4	2
10	Double Bearing Bracket Assembly (items 14 to 19, 21, 28)	18A-4	2	28	Pinion Gear	9-4-6	4
11	Single Bearing Bracket Assembly (items 18, 20, 27, 28, 32)	17A-4	2	29	Side Tie Rod	29A-4	2
12	Side Roller Chain	12B-4	2	30	Tie Rod	29-4	1
13	Top Roller Chain	12A-4	1	31	Boomer Strap Eye	2D-3-30	2
14	Sprocket	14-4-6	2	32	Pinion Gear Axle	8B-4	2
15	Crank Gear	10-4-30	2	33	Boomer Assembly (items 5 to 8)	30-4	1
16	Crank	8-3-6	2	34	Boomer Hook	25	1
17	Crank Pinion	8C-4,5-6	2	35	Foot	16-3-30	2
18	Bearing	26-4-6	12				