

Phone: 780-465-6161

7141 67 St. NW, T6B 3L7

Edmonton, Alberta, Canada

PROLINE

PIPE EQUIPMENT INC.

Pipe Lifting Hooks

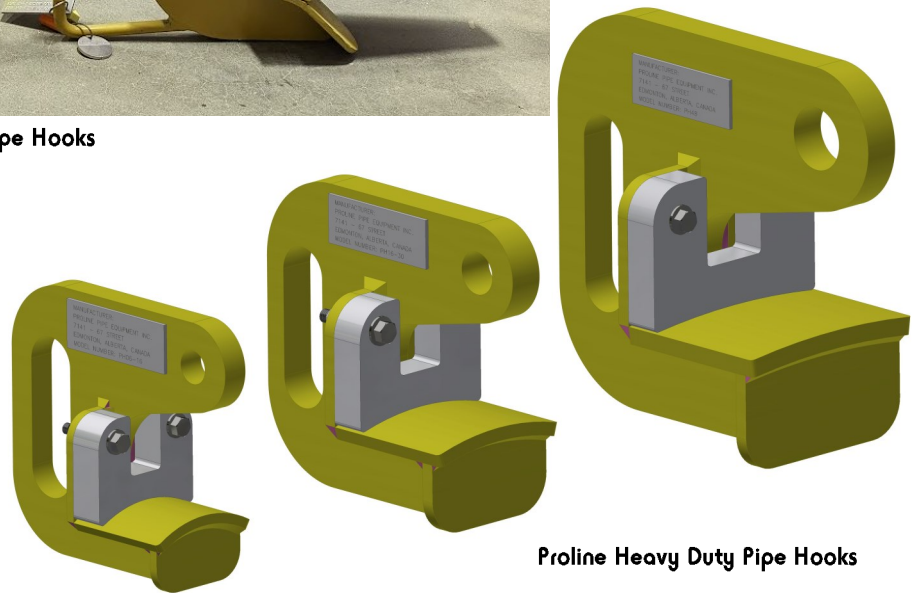
FEATURES

- All hooks meet **ASME B30.20**
- Minimum Safety Factor of **5:1**
- All hooks are pull tested to **200%** Rated Capacity (SWL)
- Replaceable UHMW wear pads protect the pipe end face/bevel
- 2 Styles of Hook: **Classic** for under 3/4" wall thickness
Heavy Duty for 3/4" and larger wall thickness
- 3 Sizes of Hook to accommodate all pipe sizes
- Allowable lifting angle of **45° - 90°**

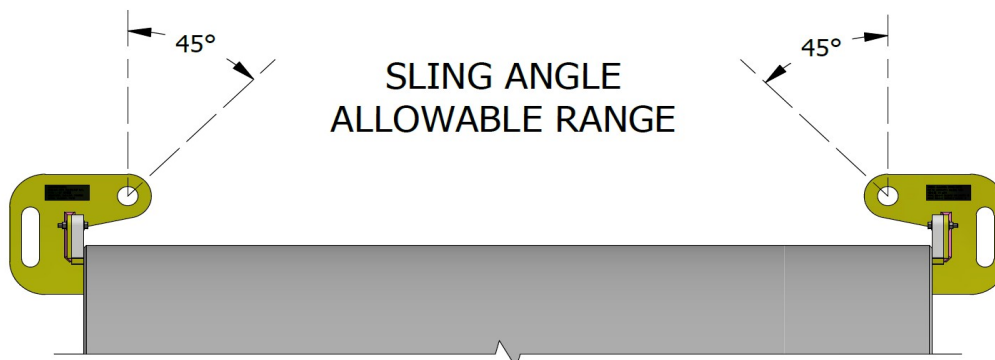
Model #	Description	Capacity (Per Hook)	Hook Weight
PH03-06	3"-6" Classic Pipe Hook	1,500 LBS	5 LBS
PH08-24	8"-24" Classic Pipe Hook	8,000 LBS	11 LBS
PH26-48	26"-48" Classic Pipe Hook	13,500 LBS	20 LBS
PH06-16	6"-16" Heavy Duty Pipe Hook	6,000 LBS	11 LBS
PH16-30	16"-30" Heavy Duty Pipe Hook	14,000 LBS	20 LBS
PH48	30"-48" Heavy Duty Pipe Hook	26,000 LBS	34 LBS



Proline Classic Pipe Hooks



Proline Heavy Duty Pipe Hooks



Phone: 780-465-6161

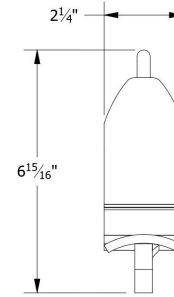
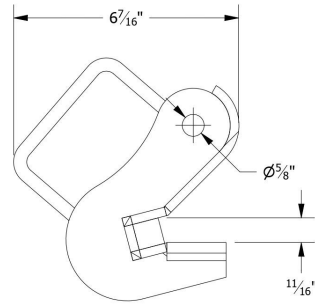
7141 67 St. NW, T6B 3L7

Edmonton, Alberta, Canada

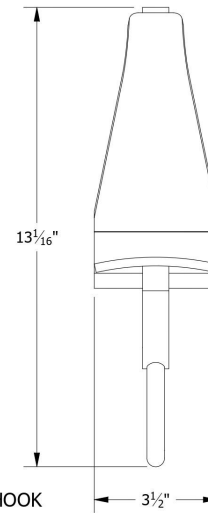
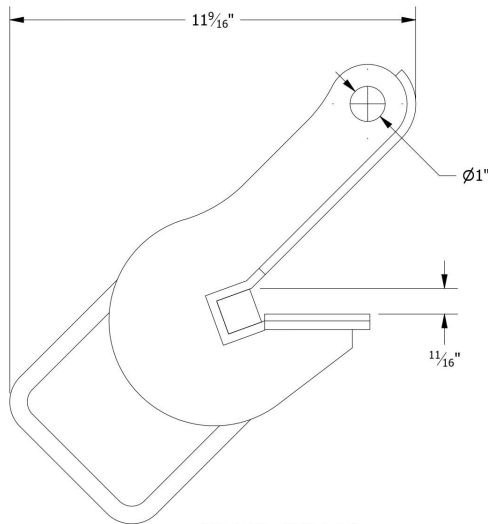
PROLINE

PIPE EQUIPMENT INC.

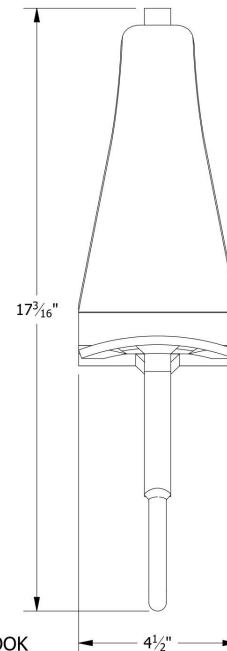
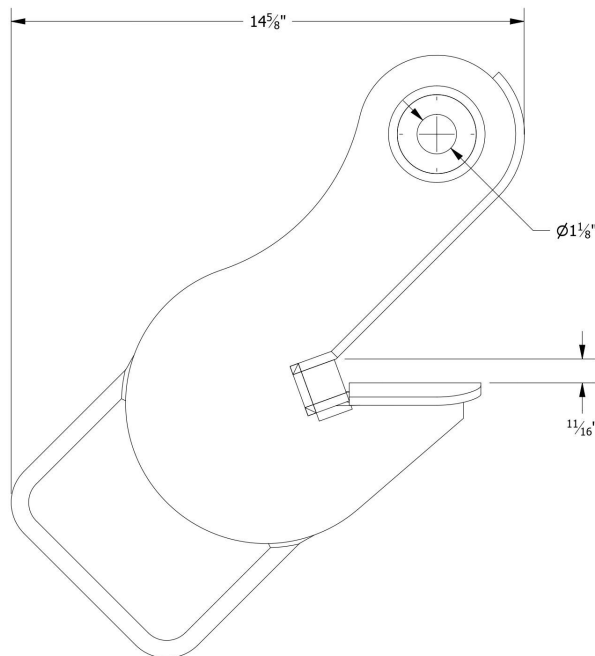
Pipe Lifting Hooks



MODEL: PH03-06
DESCRIPTION: 3" - 6" CLASSIC PIPE HOOK



MODEL: PH08-24
DESCRIPTION: 8" - 24" CLASSIC PIPE HOOK



MODEL: PH26-48
DESCRIPTION: 26" - 48" CLASSIC PIPE HOOK

Phone: 780-465-6161

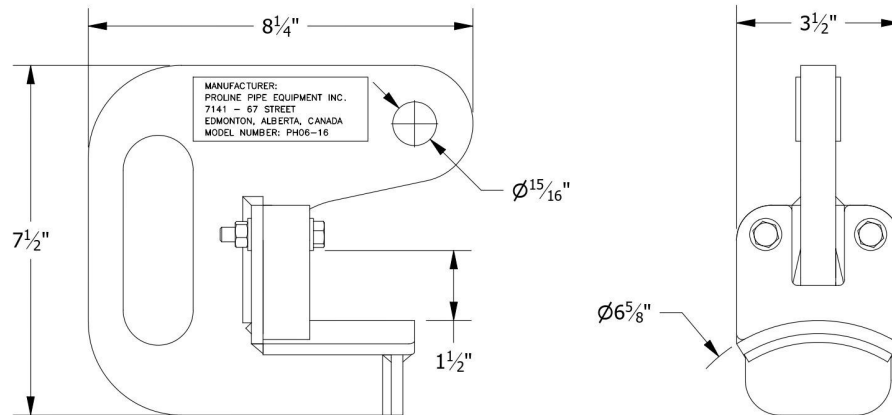
7141 67 St. NW, T6B 3L7

Edmonton, Alberta, Canada

PROLINE

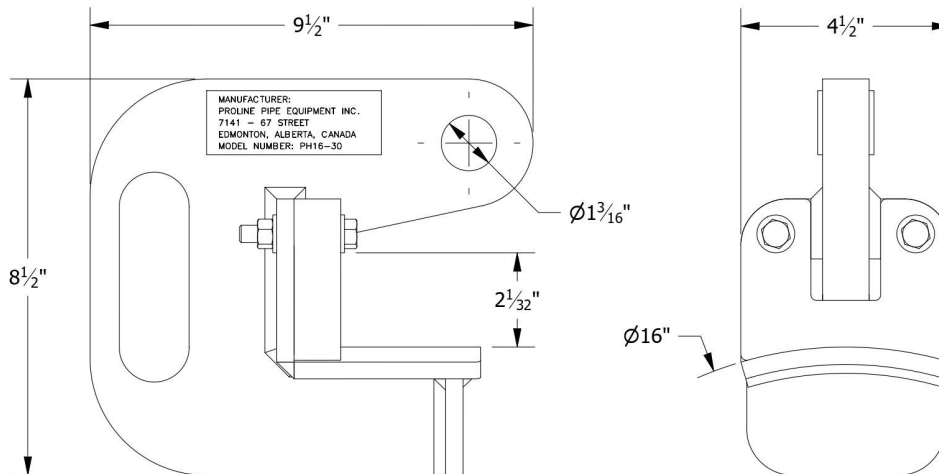
PIPE EQUIPMENT INC.

Pipe Lifting Hooks



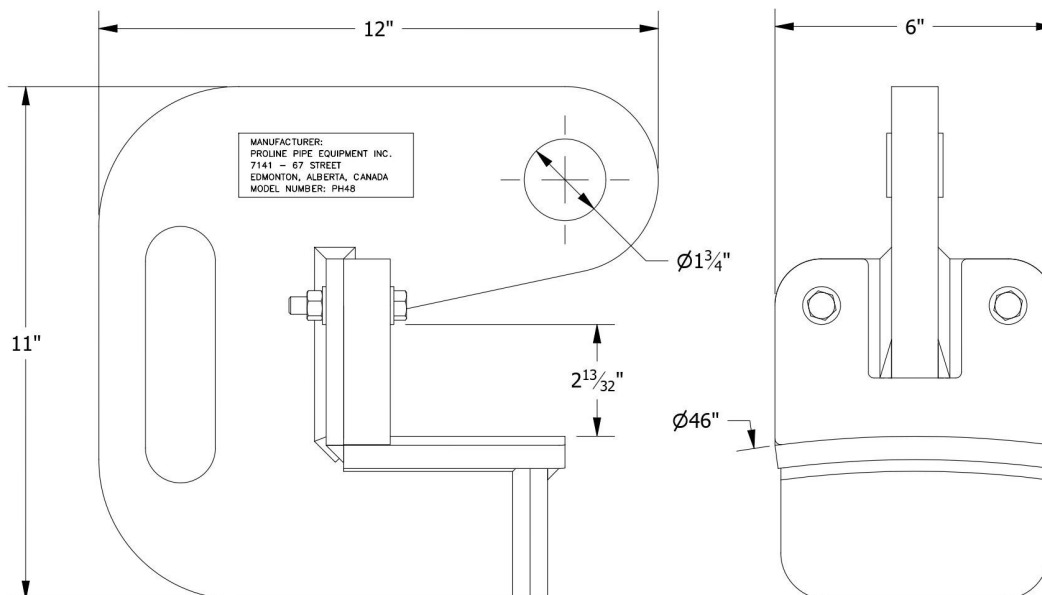
MODEL: PH06-16

DESCRIPTION: 6"-16" HEAVY DUTY PIPE HOOK



MODEL: PH16-30

DESCRIPTION: 16"-30" HEAVY DUTY PIPE HOOK



MODEL: PH48

DESCRIPTION: 30"-48" HEAVY DUTY PIPE HOOK