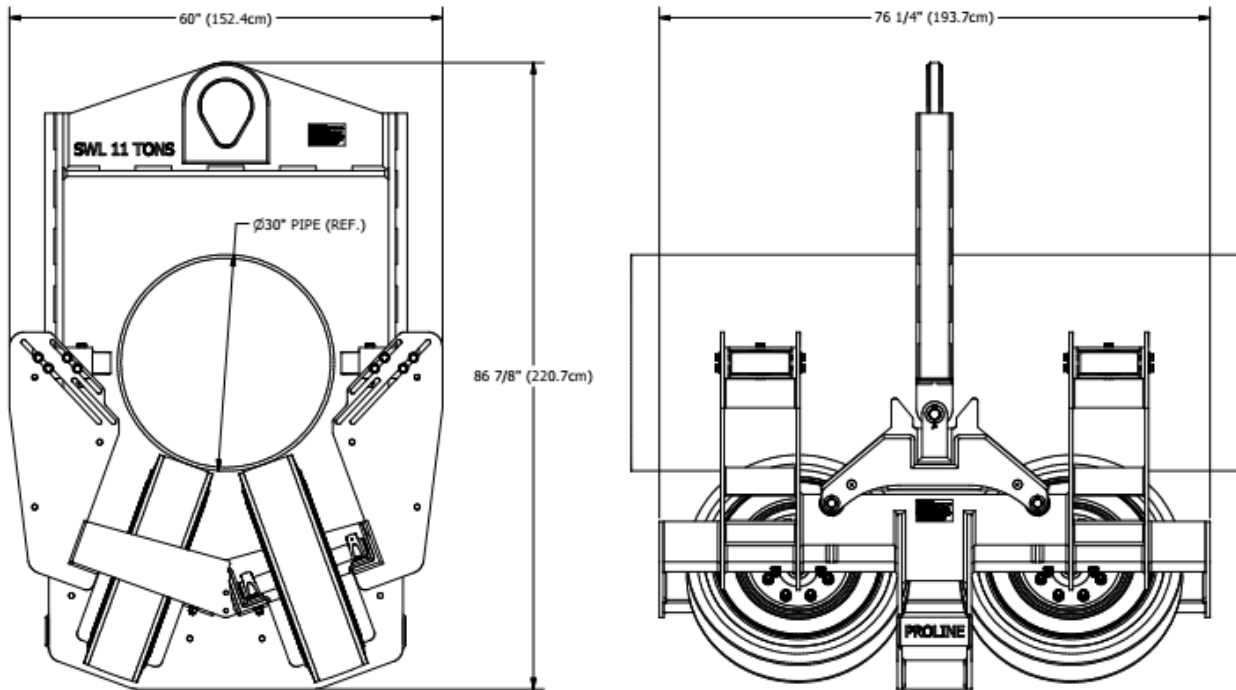


PROLINE RTC14-30 PNEUMATIC TIRED CRADLE



FEATURES

- The Proline RTC14-30 Pneumatic Tired Cradle is designed to support and guide 14” to 30” pipe during pipe handling and lowering-in operations.
- Large multi-ply rubber tires protect all pipe coatings and insulated pipe from damage.
- Later rubber guide rollers keep the pipe centered on the four tires.
- Heavy duty steel frame quickly adjusts for any pipe size within the cradle’s range.

SPECIFICATIONS

- | | |
|---|---|
| • Pipe size range: | 14 inch nominal (355.6 mm) to
30 inch nominal (762.0 mm) |
| • Quantity of tires: | 4 |
| • Approximate weight: | 3120 lbs. (1415 Kg) |
| • Recommended max. working load
with 5:1 safety factor | 11 tons |