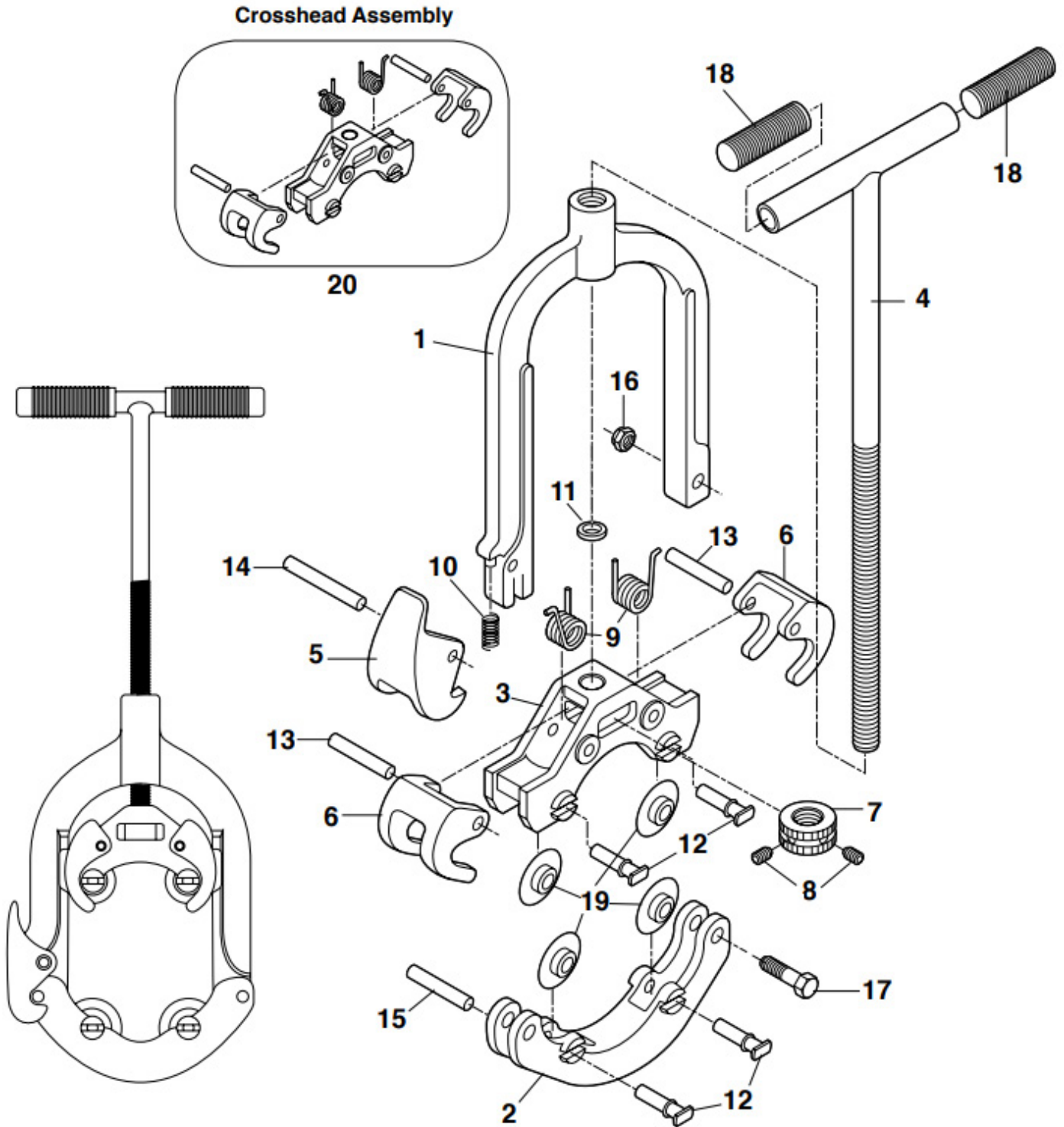


Reed Hinged Pipe Cutters

Parts List



H6SHH, H8SHH, and H12SHH use alternate #2 Lower Yoke and #21 Helper Handle, neither shown.

Reed Hinged Pipe Cutters

Parts List

| Ref. No. | Description | H2-1/2 Part No. | H4 Part No. | H6 / H6SHH Part No. | H8 / H8SHH Part No. | H12 / H12SHH Part No. | Qty | |
|----------|--------------------|----------------------------------|-------------|---------------------|---------------------|-----------------------|-----|--|
| 1 | Upper Yoke | 93150 | 93151 | 93152 | 93153 | 93154 | 1 | |
| 2 | Lower Yoke | 93120 | 93121 | 93122 | 93123 | 93124 | 1 | |
| 3 | Crosshead | 93135 | 93136 | 93137 | 93138 | 93139 | 1 | |
| 4 | Handle & Screw | 93125 | 93126 | 93127 | 93128 | 93128 | 1 | |
| 5 | Latch | 93115 | 93116 | 93117 | 93117 | 93117 | 1 | |
| 6 | Guide | 93043 | 93046 | 93049 | 93049 | 93049 | 2 | |
| 7 | Crosshead Locknut | 93140 | 93141 | 93142 | 93143 | 93143 | 1 | |
| 8 | Set Screws | 40083 | 40090 | 40090 | 40090 | 40090 | 2 | |
| 9 | Guide Spring | 40341 | 40035 | 40036 | 40036 | 40036 | 2 | |
| 10 | Latch Spring | 40046 | 40030 | 40030 | 40030 | 40030 | 1 | |
| 11 | Thrust Washer | 93044 | 93010 | 93052 | 93052 | 93052 | 1 | |
| 12 | Wheel Pin | 93310 | 93310 | 93112 | 93112 | 93112 | 4 | |
| 13 | Guide Pin | 30030 | 30030 | 30013 | 30013 | 30013 | 2 | |
| 14 | Latch Pin | 93019 | 93018 | 93018 | 93018 | 93018 | 1 | |
| 15 | Lower Yoke Pin | 93181 | 93008 | 93008 | 93008 | 93008 | 1 | |
| 16 | Locknut | 30179 | 30143 | 30143 | 30143 | 30143 | 1 | |
| 17 | Hinge Bolt | 93155 | 93146 | 93156 | 93156 | 93156 | 1 | |
| 18 | Handle Grips | N/A | 40196 | 40197 | 40197 | 40197 | 2 | |
| 19 | Cutter Wheel | See Cutter Wheel Reference Chart | | | | | | |
| 20 | Crosshead Assembly | 93130 | 93131 | 93132 | 93133 | 93134 | 1 | |
| 21 | Helper Handle | N/A | N/A | 97219 | 97219 | 97219 | 1 | |

Cutter Wheel Reference Chart

| Part No. | REED Cutter | Blade Exposure in/mm | Application |
|----------|---|----------------------|----------------------------------|
| HS4 | H4, LCRC4 | 0.320 / 7.9 | Steel/Stainless Steel |
| HS6 | H6 | 0.390 / 9.9 | Steel/Stainless Steel/Copper |
| HS8-12 | H8, H12 | 0.450 / 11.4 | Steel/Stainless Steel |
| HX4 | H4, LCRC4 | 0.383 / 9.7 | Steel/Stainless Steel/Schd 80 |
| HX6 | H6 | 0.476 / 12.1 | Steel/Stainless Steel/Schd 80 |
| HXX8 | H8, H12 | 0.682 / 17.3 | Steel/Stainless Steel/Schd 80 |
| HI6-8-12 | H6, H8, H12 | 0.410 / 10.4 | Cast Iron/Ductile Iron |
| RCS8-36 | LCRC8, LCRC12, LCRC16, RC20, RC24, RC30, RC36, RC42 | 0.635 / 16.1 | Steel/Stainless Steel |
| RCI8-30 | LCRC8, LCRC12, LCRC16, RC20, RC24, RC30, RC36, RC42 | 0.500 / 12.7 | Cast Iron/Ductile Iron (manual) |
| RCX | LCRC8, LCRC12, LCRC16, RC20, RC24, RC30, RC36, RC42 | 0.800 / 20.3 | Heavy Wall Steel/Stainless Steel |