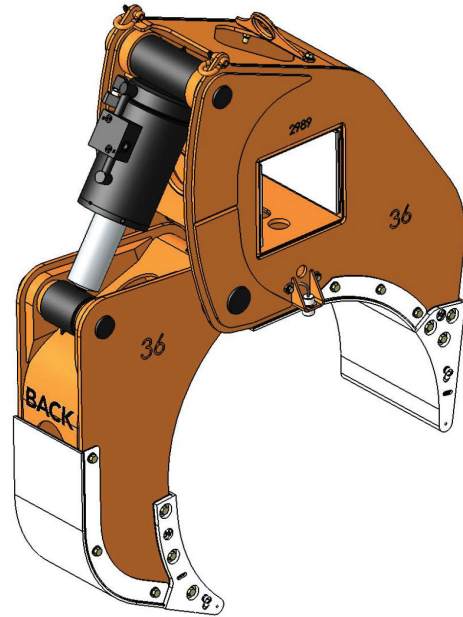


# PIPE ARM EXTRA LARGE

## 36"

Individual sizes designed to easily handle 30-56" diameter coated or uncoated pipe using DECKHAND XL

- Handles pipe on and off trailers, rail cars, or pipe rack without disturbing adjacent pipe
- Sensors allow operator to monitor arm grip status while moving pipe
- Load locking valve system ensures pipe is never dropped
- Proximity sensors inform operator of correct positioning and clearance
- Pipe can be lifted from an off-center position
- Arms utilize long lasting wear pads to protect coated pipe from damage
- Fast and efficient at stringing pipe during pipeline construction
- Can handle pipe covered with snow, ice or dirt



### DECKHAND PIPE ARM EXTRA LARGE

#### 36 INCH PAXL SPECIFICATIONS

Part Number	3209
Model Number	PAXL 36
Main Beam Size (inches)	10x10
Material Capacity	36 IN / 91 CM
Capacity (per two arms)	32,000 LB / 14,515 KG
Weight	1,300 LB / 590 KG
Shipping Crate P/N	2628
Shipping Dimensions	66L x 46W x 70H IN / 168L x 117W x 178H CM
Shipping Weight (arm set with crate)	3,725 LB / 1,690 KG